

# Product Specifications

**Name: Strip DMX Decoder**

**Model: DMX100**



## Summarization

The DMX decoder adopts the advanced micro control unit, it receives standard DMX-512 digital control signal that is widely used in the and transformes it into PWM signal to drive LED; the port of DMX signal has lightning protection measures, while the load output has over-current protection circuit; You could connect the DMX decoder with DMX digital console to achieve dimming or various changes in procedures. Not connected with DMX console, you can choose select the built-in 11 kinds of default patterns through the wireless remote control.

## Technical Parameters

### Controller

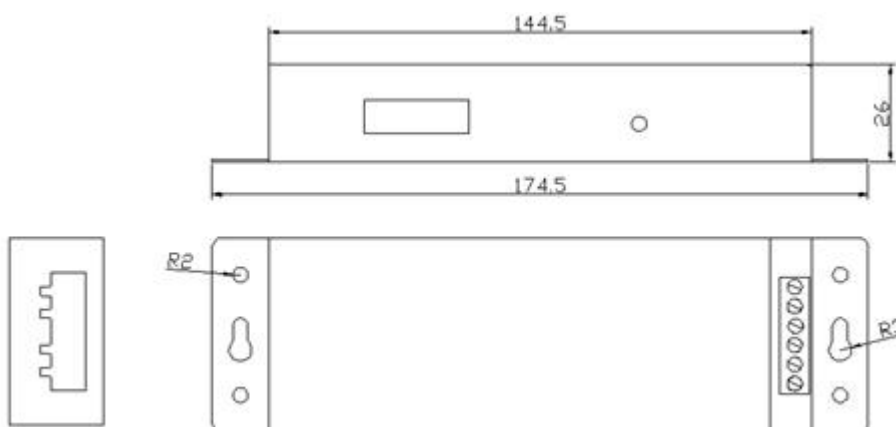
- Working temperature: -20-60 °C
- Input voltage: DC5-24V
- Output: 3 channel
- Connection mode: common anode
- External dimension: L175 \* W53 \* H27 (mm)
- Packing size: L180 \* W58 \* H58 (mm)
- Net weight: 300g
- Gross weight: 350g
- Output current: <5A (each channel)
- Output power: 5V:<75W, 12V:<180W, 24V:<360W

## Touch remote

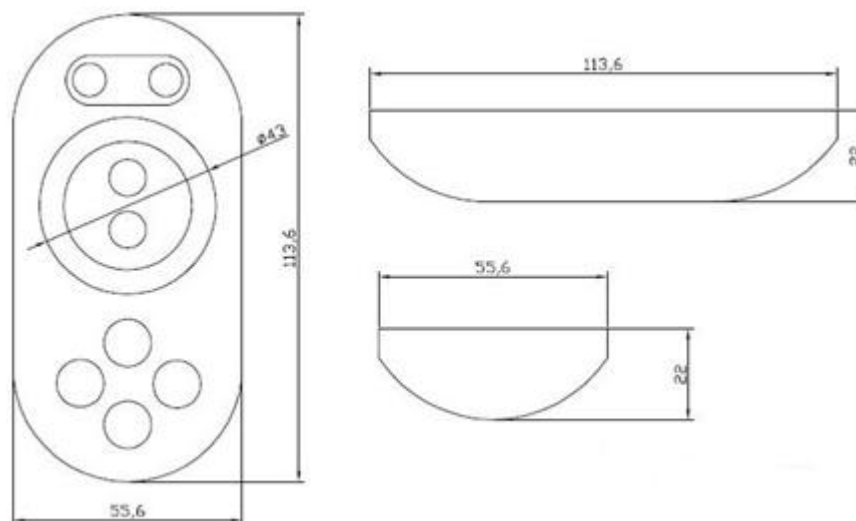
- Working temperature: -20-60°C
- Power supply mode: AAA\*3 battery
- Supply voltage: 1.5V\*3
- Standby power consumption: 0.015mW
- Standby current: 3uA
- Emission current: 10mA
- Remote distance: 15m
- Standby time: 6 months

## External Dimension

### Decoder External Dimension:



### Remote Control External Dimension:



## Interface Specification

Interface of DMX signal adopts the 6PIN green terminal interface, wiring is as follows:



**DMX IN:** input interface of DMX signal, D+ should be connected with positive of signal, D- connected with negative of signal, Gnd connected with ground.

**DMX OUT:** output interface of DMX signal, D+ should be connected with positive of signal, D- connected with negative of signal, Gnd connected with ground.

Power and load output adopts the 6PIN green terminal, wiring is as follows:



**POWER:** input interface of power, V+ should be connected with positive of power, V- connected with negative of power, the range of supply voltage is DC5-24V

**OUT PUT:** load output interface, V+ should be connected with the positive of light, R, G, B connected with negative, correspond to the three channels.

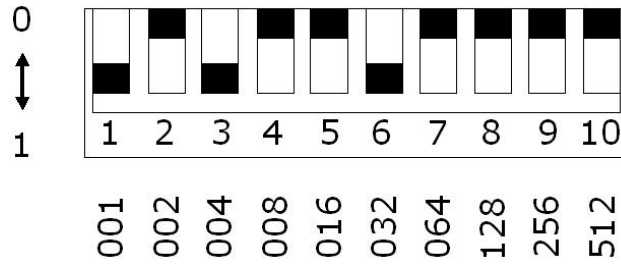
## Direction for use

### 1. DMX address code settings

Each DMX decoder occupies 3 DMX addresses, it adopts coding switches to set address, the coding switches from 1 to 9 are Binary numerical code switches which are used for setting DMX original address code. The first is the lowest bit, and the tenth is the highest, 1023 address codes could be setted in all. DMX original address code is equal to the sum of the bit values of the coding switch from 1 to 10, dial the coding switch down (ON is setted to 1), the value of bit can be obtained; the coding switch upwards (OFF is setted to 0), and the value of bit is 0.

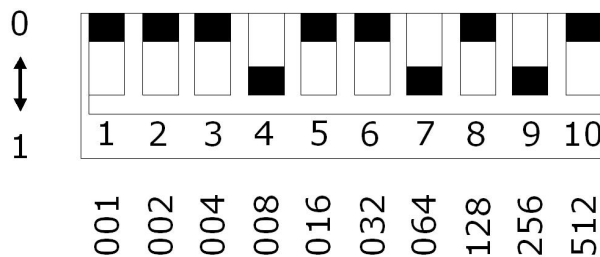
Example 1:

In figure 1, if you want to set the original address code to 37, you can dial down the first, the third and the sixth code switch, and the sum of the bit values of the coding switch from 1 to 10 is  $32+4+1$ , that is the original address code of DMX512 is 37.



Example 2:

In figure 2, if you want to set the original address code to 328, you can dial down the ninth, the seventh and the fourth code switch, and the sum of the bit values of the coding switch from 1 to 10 is 256+64+8, that is the original address code of DMX512 is 328.



## 2. Instruction for touch remote control

1. There are 64 touch buttons (points), the functions are as follows:



: you could turn on/off controller at any state;



: pause key, in dynamic mode, it allows the controller to stop the current state;



: The key has two functions:

- (1) mode increase selection button, when the current control mode is pulley mode (color), if you want to realize the mode (color) in the controller, you can press this button.
- (2) mode switch button, when the current control mode is "M" key mode, you can press this button to switch the mode (color) specified in M+ key table;



: The key has two functions:

- (1) mode reduce selection button, when the current control mode is pulley mode (color), if you want to realize the mode (color) in the controller, you can press this button.
- (2) mode switch button, when the current control mode is "M" key mode, you can press this button to switch the mode (color) specified in M- key table;



: It is used for increasing the output brightness, once pressed, the series of brightness increase 1, total 25 series (it is effective in static mode)



: It is used for reducing the output brightness, once pressed, the series of brightness reduce 1, total 25 series (it is effective in static mode)



: It is used for increasing the output speed, once pressed, the series of speed increase 1, total 32 series (it is effective in dynamic mode)



: It is used for reducing the output speed, once pressed, the series of speed reduce 1, total 32 series (it is effective in dynamic mode)



: multicolor pulley touch key, static mode selection key, up to 56 touch points.

The button has two functions:

- (1) Pulley static color selection key, so when the current control mode is M key mode (color), if must realize pulley static color, you can press this key.
- (2) Pulley static color switch key, can change from 56 kinds of colors (as the pulley shown)

2. Match the code of remote control: The first time use the decoder and remote control, maybe because the decoder address and remote control address is not match, it will cause the remote control can not control, at this time, it need to use this button to make this 2 address matched. Firstly, press the decoder "Match" key, at the same time press any key of the remote control, more than 2s, now the remote control indicator light RF will flicker 3 times, release "Match" key, then finished
3. Power management: Stop using remote control more than 20s, remote control will automatically enter into standby mode (the state can not touch), to extend the battery life for use; shake the remote mildly remote return to work station(the state can touch).
4. Indicator descriptions: The indicator of touch remote control lights up indicates that it detects the touch button, the indicator off means that no touch button is pressed.
5. The remote control can be used only when the decoder is not connected with DMX signal, when the Decoder is connected with DMX console, the mode of console takes precedence, at this time, the touch remote does not have any effect.

**Mode changes table is as follows:**

Mode number	Function	Remark
1	Static red	brightness is adjustable, Speed is unadjustable
2	Static green	
3	Static blue	
4	Static yellow	
5	Static purple	
6	Static cyan	
7	Static white	
8	Three color jumpy changing	Speed is adjustable, brightness is unadjustable
9	Three color gradual changing	
10	Seven color jumpy changing	
11	Seven color gradual changing	

**Typical Application**

