

# DMX124 DMX signal distributor

## Product Specification



## 1. Summarization

DMX124 signal distributor is one of DMX signal distributor series, is specially used for amplifying DMX512 digital lighting control signal and 4 channels allocation output. The input/output interface adopts high voltage isolation technology, applied to amplify DMX512 signal transmission in the short distance, as well as the using occasion where output/input interfaces need to be complete electrical isolation. Due to the independent isolation between input/output interface, it can avoid burning precision digital light console by the problem of the controlling circuit, decoder, computer light, silicon box and so on, to ensure the safe operation of digital lighting control, and also ensure DMX signal can normal transfer to all kinds of lighting equipment, so as to improve reliability for the whole digital lighting control system.

## 2. Technical parameters

2.1 Working temperature: -20-60°C

2.2 Input voltage: AC 110 ~ 240V 50~60HZ

2.3 Rated power: 4W

2.4 Input signal: 1 channel DMX512 signal

2.5 Output signal: 4 channel DMX512 signal output, the output port can be connected to 32 equipments mostly.

2.6 The isolation voltage between input/output interface: > 1000V

2.7 Cascade quantity: can cascade 16pcs signal amplifier mostly.

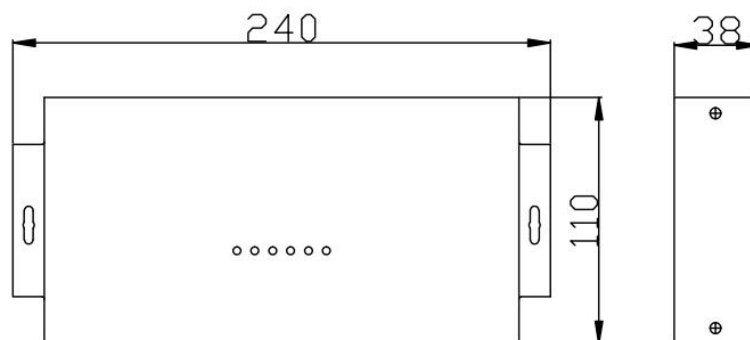
2.8 Net weight: 789g

2.9 Gross weight: 1188g

2.10 External dimension: L240\*W110\*H38mm

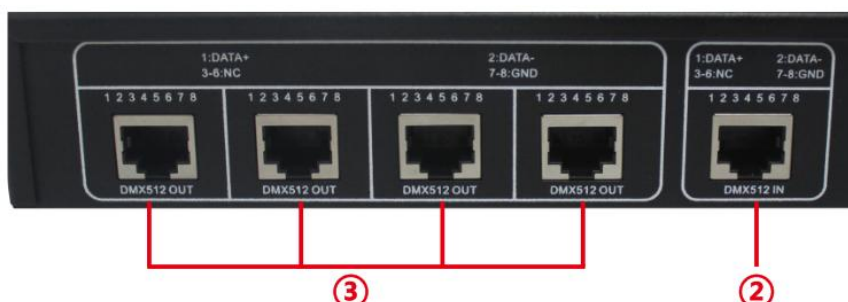
2.11 Packing size: L273\*W170\*H70mm

## 3. External Dimension



## 4. Direction for Use

### 4.1 Interface Specification

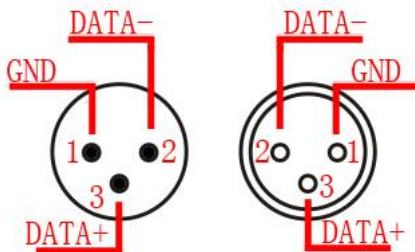




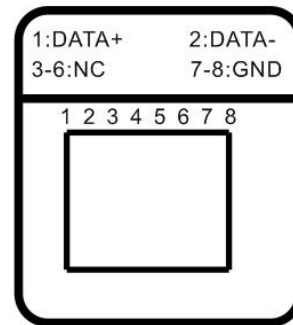
①AC110-240V power interface ②DMX signal input interface ③DMX signal output interface

The network port is similar to the input and output function of the kalong head, which is determined by the interface type of the DMX decoder used

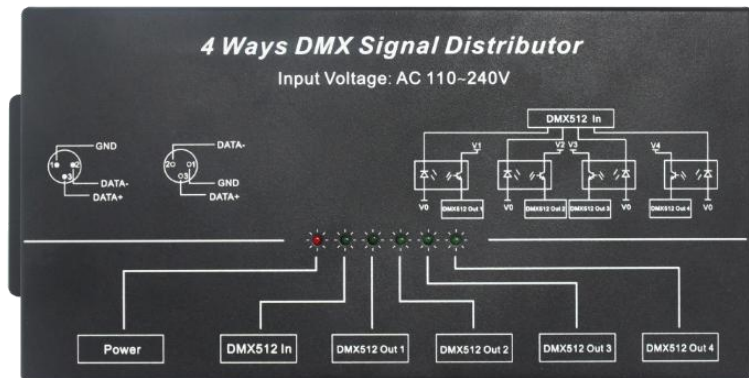
**DMX XLR interface**



**RJ45 interface**



**4.2 Signal light specification**



Power light: light is on - Power on; Light is off - power off

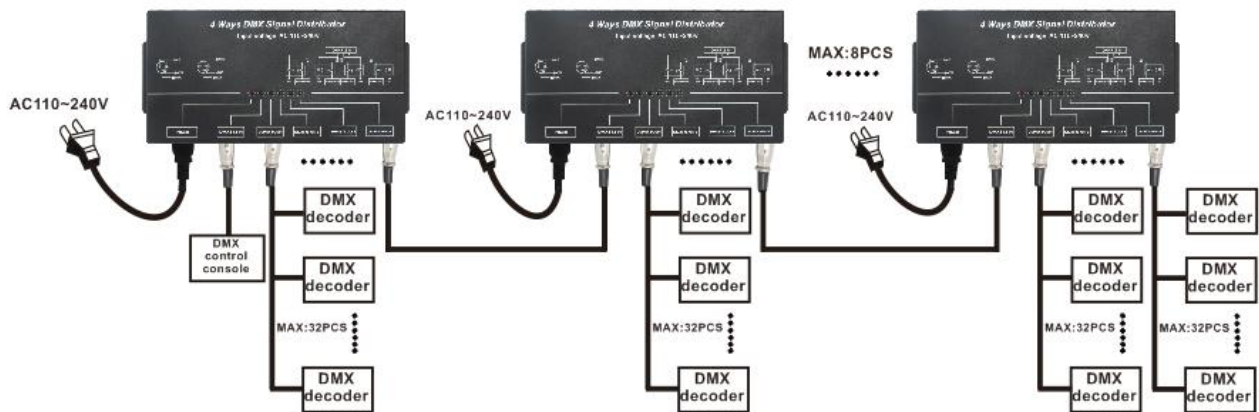
DMX512 IN light: light is on - DMX512 signal input normal; Light is off - DMX512 signal without input or unnormal

DMX512 OUT1~DMX512 OUT4 light: light is on - DMX512 signal output normal; Light is off - DMX512 signal output failure

**4.3 Instruction of wiring**

According to the panel of DMX amplifier, to connect input and output signal wires in order to ensure short circuit can not occur between wires, and then connect power to DMX amplifier, it goes hand in hand with DMX decoder, please refer to the following typical applications.

## 5. Typical application



## 6. Attention

- 6.1 Connect the load wire at first, following by the power wire; Please ensure short circuit can not occur between connecting wire before you turn on the power;
- 6.2 The supply voltage of controller ranges in AC110~240V, it may burn out the controller once exceed the voltage ranges.