



DC24V-UCS512C3-RGB-60Led/M Strip

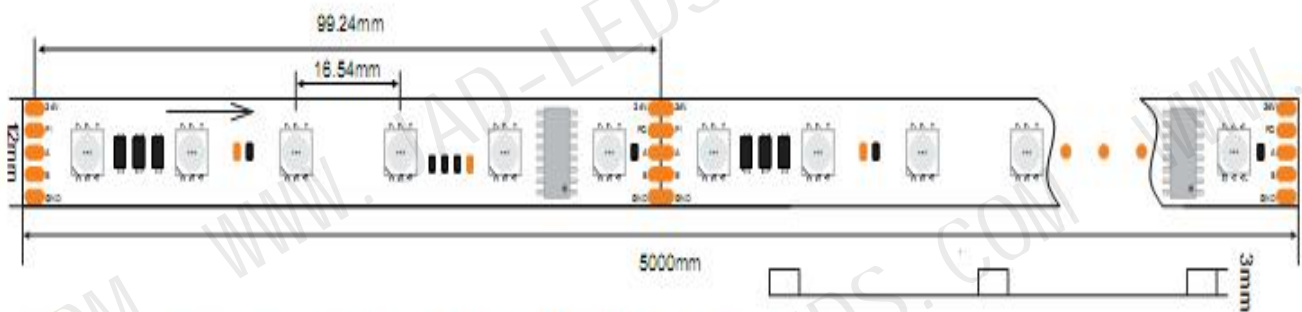


Product Specifications:

- 1.Item Model: UCS512C3-RGB-60LED-DC24V
- 2.LED Quantity: 60 LED/M
- 3.IC Type:UCS512C3
- 4.Wattage:14.4 W/M
- 5.Led Color:5050RGB
- 6.Pixel/m:DC24V--10pixel/m;
- 7.Signal Protocol:DMX512
- 8.PCB Width:12mm
- 9.Length/Reel:5M/Reel
- 10.Working Voltage:DC24V
- 11.IP Grade:
 - IP20:Non waterproof with 3M Adhesive tape
 - IP65 Silicone glue coating,
 - IP67 inside Soft tube
- 12.PCB Color:White ,Black
- 13.We accept custom length,OEM and ODM

Features:

1. Input Voltage DC24V, DMX signal (data+ data-) control.
2. External UCS512C3 IC control, DMX512 to RS485 decoder embedded in IC. each six leds are programmable.
3. Addressable, UCS512C3 outside IC ;
4. UCS512C3 has 5Wires input and output: A,B, PI, GND and Power+;
5. 60leds/m, 100mm/3.93" intervals cutting point.
6. Standard DMX512 controller wired with our DMX512 led strip
7. White PCB/Black PCB available. IP21/IP65/IP67/IP68 available.
8. Both ends wired with 150mm/5.9" 20Awg wire and JST 5Pin male/female connector
9. 3M adhensive tape stick on the back of non-waterproof version.
10. PWM 3.6KHz/m, Data transmit up to 800kbps, 256 grayscale effect;
11. Each IC control 6 leds;
13. Compatible with DMX512(1990) signal protocol;
14. Controller System: SD controller , DMX controller , Artnet.



Dimensional Drawing of DC24V 60LED/M DMX512 LED Strip



DC12/24V RGB DMX512 LED strip Connection:

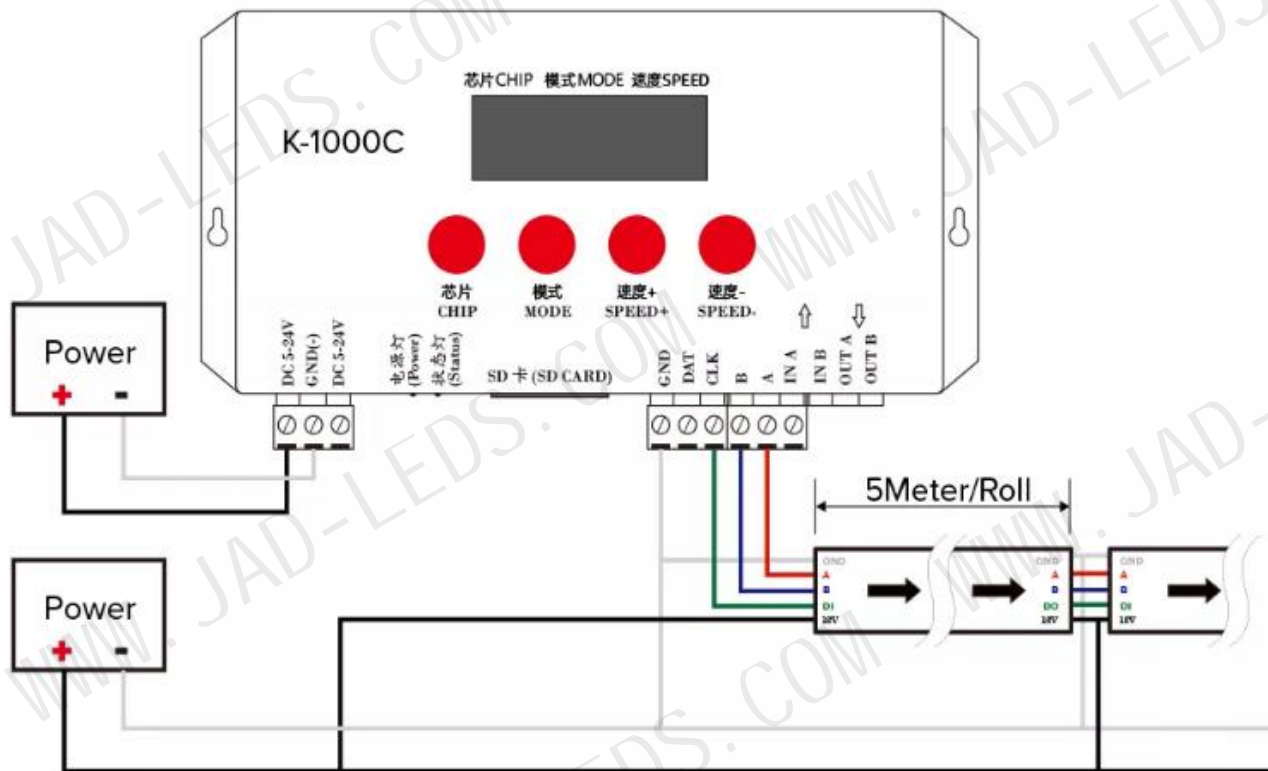
DC+: connect to power supply DC+

DMX+ (A): connect to controller DMX+ (A)

DMX- (B): connect to controller DMX- (B)

PI: Write the address, one address cable

GND: connect to power supply GND & controller GND



- fast, resistant to bending, can be bent into any shape
- 2, Using SMD5050RGB lamp beads, you can achieve when the white light off, to ensure a high end of consistency when light white the use of external driver chip DMX512, to achieve addressable, programmable digital light effect.
- 3, Compatible and extended DMX512 (1990) signal protocol, the control mode is differential parallel, built-in 485 decoding module, anti-interference
- 4, Support Coding after installation operation, you can program the controller to achieve any animation products
- 5, Low-voltage DC24V power supply, the user and crowd is more secure
- 6, can be made of waterproof level of diversification, Dropping glue waterproof (IP65), full silicone tube casing waterproof (IP67), Silicone tube+ pouring glue (IP68), as well as the latest process machine extrusion (IP68)
- 7, Each group LED (6LED as one unit/group, cuttable) as one pixel, takes 3 channels (R/G/B each chip takes 1CH), can OEM customized color effects from our engineer.

Address: 4th Floor, Building C, No. 47, Baoshi East Road, Shuitian Community, Shiyuan Street, Baoan District, Shenzhen, Guangdong, China.