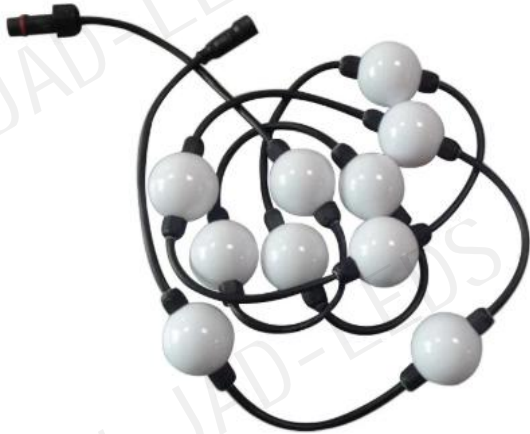




WS2811/DMX-RGB/RGBW-360degree 3D LED pixels ball light



Product Specifications:

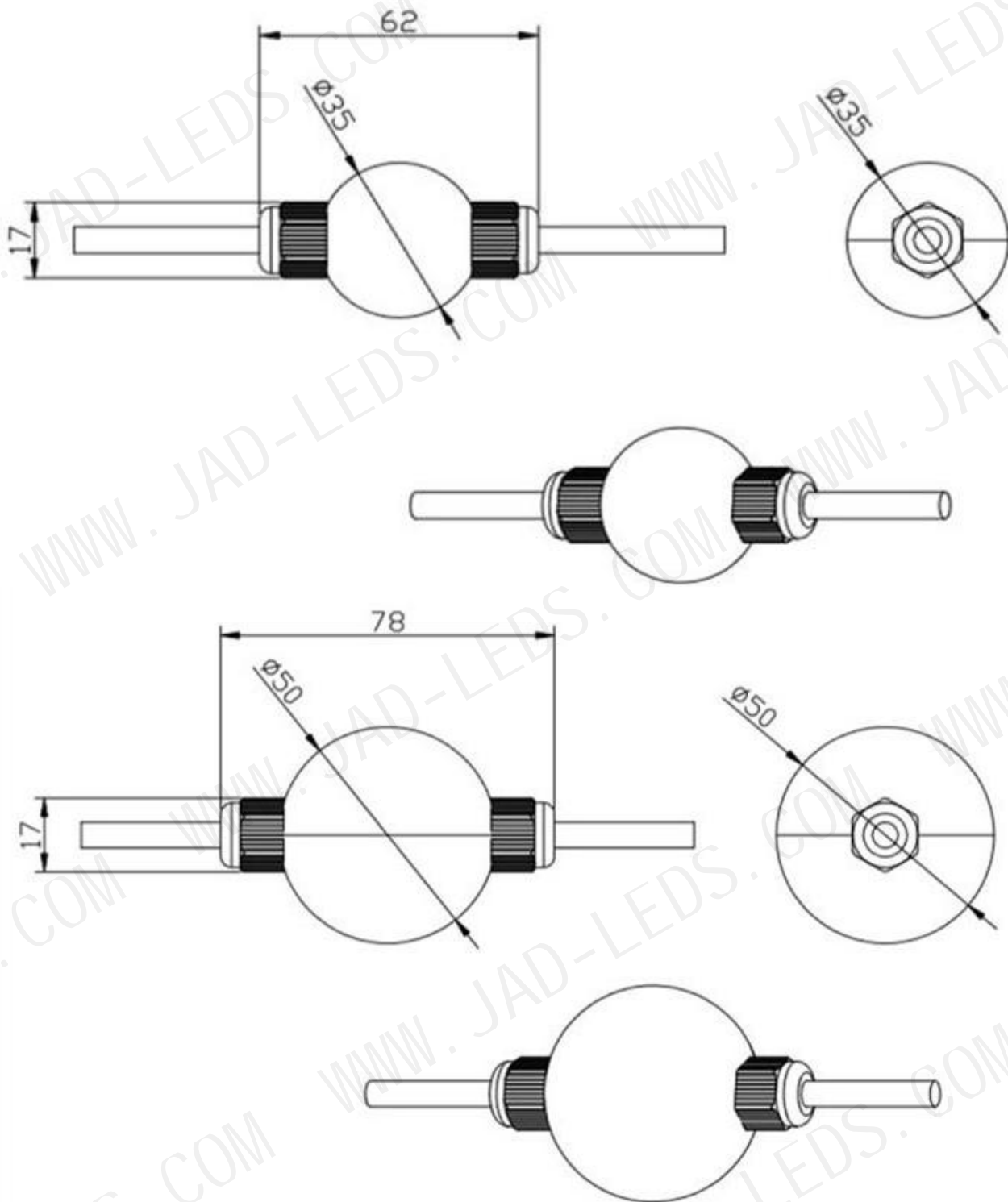
- 1、 IC type: WS2811/DMX512
- 2、 Color:full rgb color,24bit,256 gray scale
- 3、 LED Qty: 6pcs 3535 SMD RGB LED
- 4、 Input Volt: DC24V
- 5、 Power of each ball: 1.44W
- 6、 Driver method:Constant current circuit
- 7、 Dimension: 35mm / 50mm diameter available
- 8、 Beam angle: 360degree 3D full color
- 9、 Protection Level; IP20 NON- Waterproof; Waterproof IP65
- 10、 Standard connection:20PCS 3D ball per string or customized
- 11、 Standard wire length:10cm/20CM or customized
- 12、 Control method: SPI pixel controller or DMX system
- 13、 Cover: milky
- 14、 Lifespan:40000 hours
- 15、 Warranty:2year
- 16、 Operation temperature:-40-50
- 17、 Store temperature:-50-60

input end: 3 core xConnect waterproof male connector

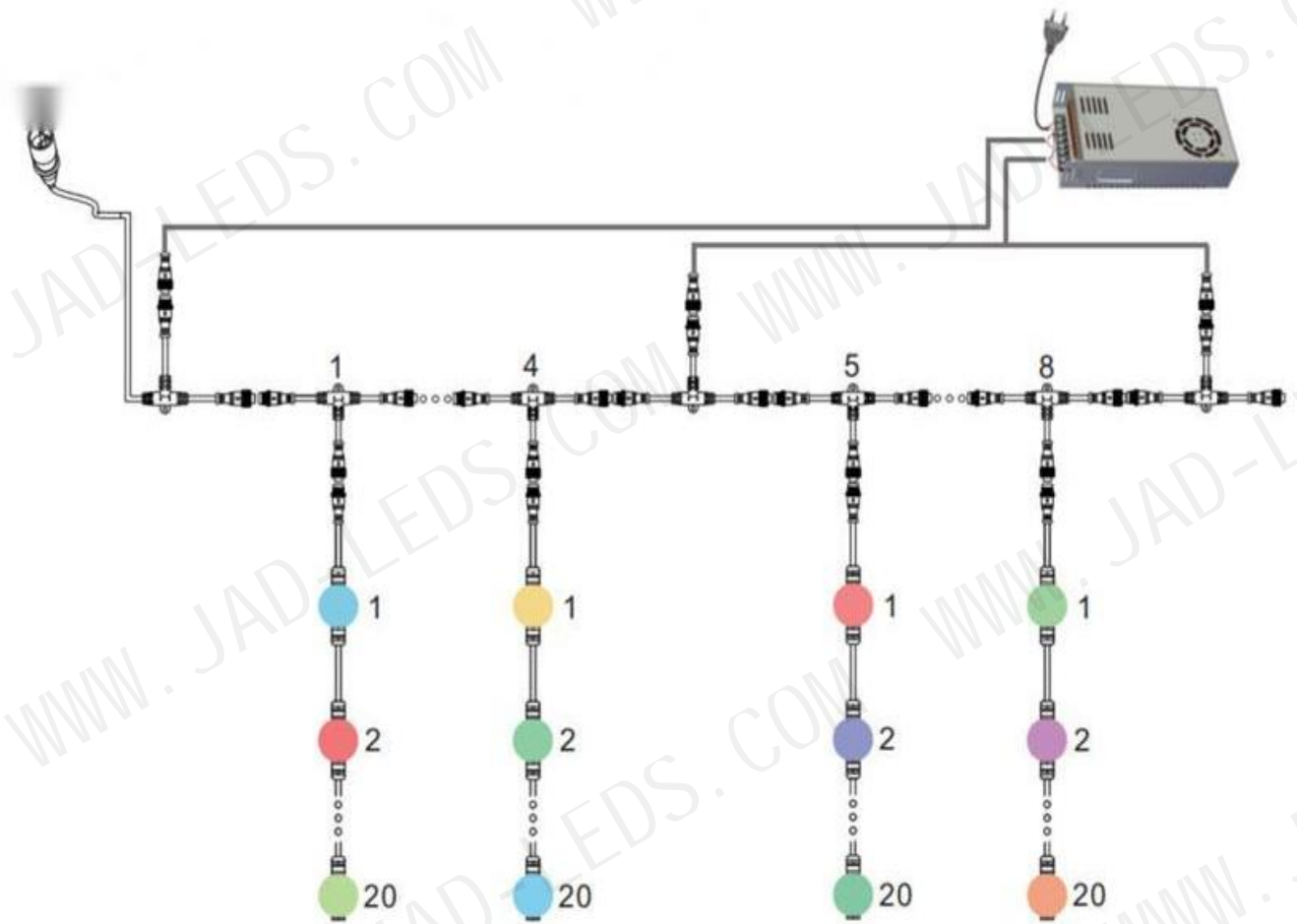
(brown wire for VCC+, yellow wire for DATA, blue wire for GND)

output end: 3 core xConnect waterproof female connector

Dimensional drawing:



1. These DMX RGB beam ball can be suspended from the ceiling vertically in club, stage, events and so on.
2. Lighting effects can be seen from 360 degree viewing angle .
3. RGB SMD 5050 leds are used in these balls.
4. The communication between balls is synchronized perfectly under support of ArtNet controller, standard DMX 512 control protocol(Max 44 frames/second).
5. Apply solid capacitor on PCB for long life time .
6. Save 40% power with more efficient power manangement design.
7. voltage :12-24DC, user only needs to feed power at the beginning of each universe.
8. Protections:short circuit , over current, over temperature.



Features:

1. 35/50mm pixel led ball is the pcb in the middle, double of leds on the pcb, so make the ball with 360degree, we also can called 3D pixel led string light.
2. The pixel led ball light is with diameter of 35/50mm, each ic chip ws2811/DMX512/ws2811 control 6pcs of smd3535 rgb led lamp,so each ball is seperately.
3. In the middle of the ball, we also have a cover on the pcb,then next side with glue on them, so they are fully waterproof, you can use them for the outside.
4. 35/50mm pixel led ball is with one string,normal is 20pcs/string, also can do customer length.
5. 3D pixel led ball use 3Pin waterproof 20AWG cable, for the cable we have white cable and black cable for you to choose
6. For the cover of 3D-35/50mm led ball light,we have milky white cover, clear cover.

Address: 4th Floor, Building C, No. 47, Baoshi East Road, Shuitian Community, Shiyan Street, Baoan District, Shenzhen, Guangdong, China.